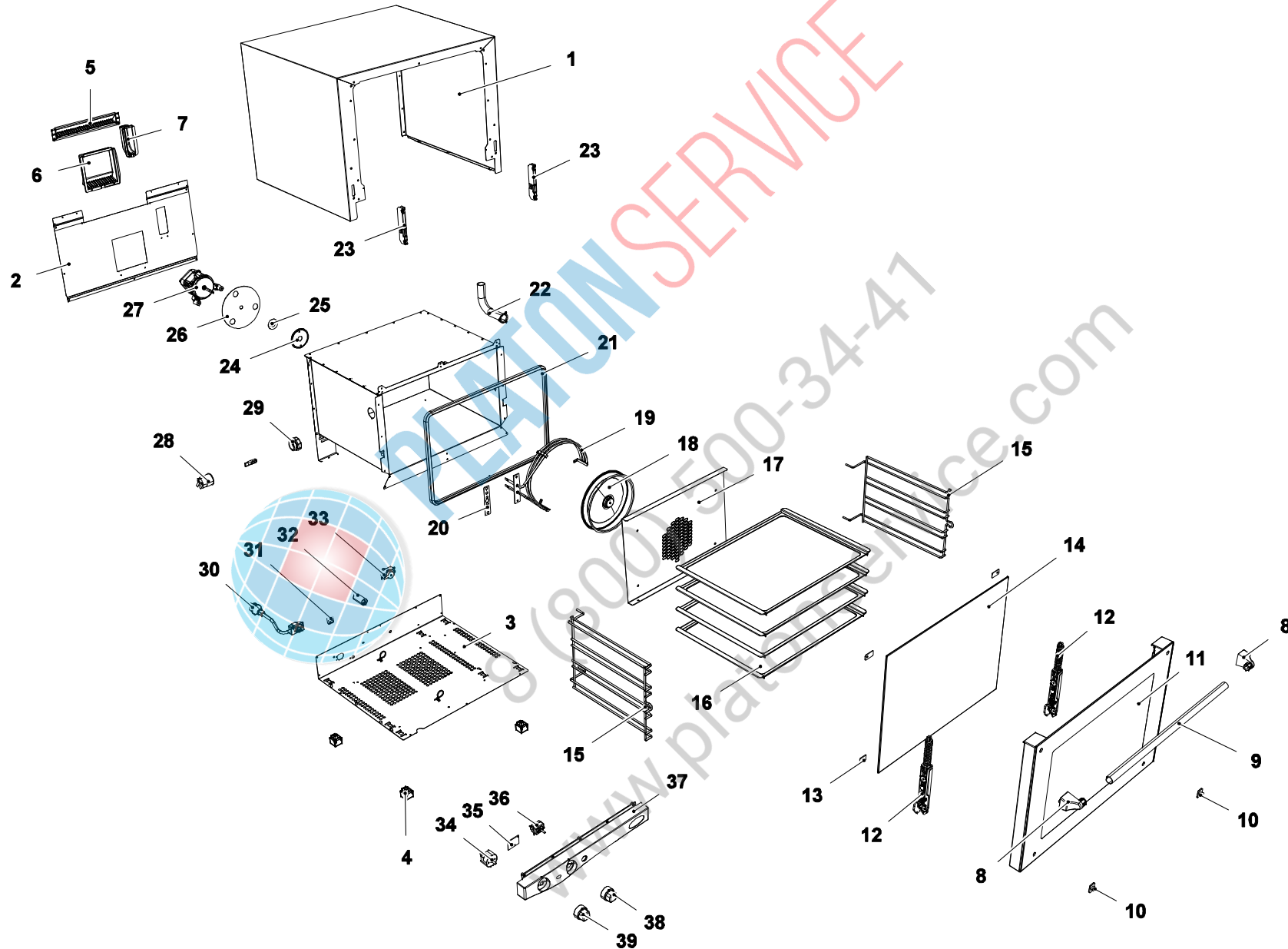


MOD: XF023

EXPLODED VIEW DISEGNO ESPLOSO



DESCRIZIONE CODICI

1	OD2122A0	MANTELLO LMC ANNA
2	OFI422A0	SCHIENA IP ANNA
3	OE1175B1	FONDO ESTERNO L.Micro LISA - ANNA
4	PD1001A0	PIEDINO 35X35 H26 PLASTICA+GOMMA GRIGIO
5	VM1950A0	GRONDAIA PLASTICA
6	VM1952A0	COPRIMOTORE IP
7	VM1951A0	CUFFIA COPRICAMINO IP
8	MG1015B0	TERMINALE MANIGLIA L.MISS/L.MICRO/CHEFTO
9	OH3195B0	TUBO MANIGLIA L= 508 Ø18x1
10	VM1380B0	TAPPO FISSAGGIO VETRO-PORTA L. MICRO
11	VT1156A1	VETRO ESTERNO SER. 590X382X4 CHIARO
12	CR1065A0	CERNIERA PORTA FORNO RIBALTA L.C. ANNA
13	OH3111A1	PIASTRINA INFERIORE FERMA VETRO
14	VT1155A0	VETRO INTERNO 512X362X4 BETFL
15	GRL1090A0	GRIGLIA LATERALE DX/SX CROMATA
16	TG305	TEGLIA 460x330 PIANA ALLUMINIO
17	OG1220A0	CARTER ARIA INOX L. MICRO ANNA
18	VNI050A2	VENTOLA D=196 H=32 38 PALE INOX DADO M6
19	RS1130A0	RESISTENZA CIRCOLARE D=230 3 SPIRE
20	GN1327A0	GUARNIZIONE RES. 100X22
21	GN1235A0	GUARNIZIONE L. MICRO ANNA
22	TB2092A0	CAMINO FUJMI LM CR Ø30x1
23	CR1070A0	ATTACCO CERNIERA PORTA FORNO RIBALTA
24	OH3020A1	DISCO TENUTA ALBERO MOTORE
25	GN1140A1	GUARNIZIONE PORTAMOTORE STAMP.
26	OH3585A0	LAMIERA PROTEZIONE MOTORE ZINCATO L.M.
27	VNI035B1	MOTORE SISME 230 VAC LINE MISS
28	VE1480A0	GRUPPO LAMPADA 230V-25W
29	VT1200A0	VETRO COPRILAMPADA BOROSILICATO L.MICRO
30	MRI000A0	CAVO 3X1,5 H07RN-F MTT1,5+K2/3+SCHUKO
31	VM1750A0	MORSETTIERA A PETTINE
32	VE1145A0	CONDENSATORE 3,5 µF 450 Vac 50/60 Hz
33	TR1134A0	TERMOSTATO SIC. BIP. 335°C RIARMO MANUAL
34	TM1005A0	TIMER MI2 60 MIN 250V 16A
35	TM1000C1	SUONERIA ELETTRONICA 15 SEC 230V
36	TR1100A0	TERMOSTATO REG. 269°C 55.19052.80
37	VM1390B0	CRUSCOTTO COMANDI L. MICRO LISA-ANNA
38	MN1101B0	MANOPOLA SERIGR. TERMOSTATO 80-260°C
39	MN1100A1	MANOPOLA SERIGR. TIMER 0-60 MIN L. MICRO



PLATON SERVICE
8 (800) 500-34-47
www.platonservice.com

DESCRIPTION

1	OD2122A0	LINE MICRO XF023 OUTER CASING
2	OF1422A0	LINEMICRO XF023 IP BACK PANEL
3	OE1175B1	L.MICRO LISA-ANNA EXTERNAL BOTTOM PANEL
4	PD1001A0	FOOT 35X35 H26 GREY PLASTIC+RUBBER
5	VM1950A0	PLASTIC DRIP FLAP
6	VM1952A0	IP MOTOR COVER
7	VM1951A0	IP CHIMNEY COVER
8	MG1015B0	L.MISS/L.MICRO/CHEFTOP HANDLE TERMINALS
9	OH3195B0	HANDLE TUBE L= 508 Ø18x1
10	VM1380B0	L.MICRO GLASS-DOOR FIXING CAP
11	VT1156A1	SERIGR. EXTERNAL GLASS 590X382X4
12	CR1065A0	DOOR HINGE L. MICRO ANNA
13	OH3111A1	GLASS HOLDING ST. STEEL LOWER PLATE
14	VT1155A0	INTERNAL GLASS 512X362X4 L. MICRO ANNA
15	GRL1090A0	R/L CHROM. PLATED LATERAL GRID
16	TG305	TRAY 460x330 FLAT ALUMINIUM
17	OG1220A0	STAINLESS STEEL FAN GUARD L. MICRO ANNA
18	VNI050A2	FAN D=196 H=32 38 STAINLESS STEEL
19	RS1130A0	CIRC. HEAT. ELEMENT D=230 3 TURNS
20	GN1327A0	HEATING ELEMENT GASKET 100X22X0.8
21	GN1235A0	L.MICRO ANNA DOOR GASKET
22	TB2092A0	LINE MICRO EXHAUST CHIMNEY
23	CR1070A0	HINGE LATCH L. C.
24	OH3020A1	MOTOR SHAFT SEALING DISC
25	GN1140A1	MOLDED MOTOR SUPPORT GASKET
26	OH3585A0	ZINCATE MOTOR GUARD PLATE L.M.
27	VNI035B1	LINE MISS 230 VAC MOTOR
28	VE1480A0	230V-25W LAMP SET
29	VT1200A0	L.MICRO LAMP COVER BOROSILICATE GLASS
30	MR1000A0	CABLE 3X1,5 H07RN-F MT1, 5+K2/3+SCHUKO
31	VM1750A0	TERMINAL BOARD
32	VE1145A0	CONDENSER 3.5 µF 450 Vdc 50/60 Hz
33	TR1134A0	SAFETY THERMOSTAT BIP. 335°C REARMAMENT
34	TM1005A0	TIMER MI2 60 MIN 250V 16A
35	TM1000C1	ELECTRICAL BUZZER 15 SECS 230 V
36	TR1100A0	269°C ADJUSTABLE THERMOSTAT 55.19052.80
37	VM1390B0	CONTROL PANEL L.MICRO LISA-ANNA
38	MN1101B0	80-260°C THERMOSTAT KNOB
39	MN1100A1	L.MICRO 0-60 MINUTES TIMER KNOB



PLATON SERVICE
8 (800) 500-34-47
www.platonservice.com



PLATON SERVICE

8 (800) 500-34-41

www.platonservice.com